

Accessories for safety sensors

Safety relay module SRM 21 Multi

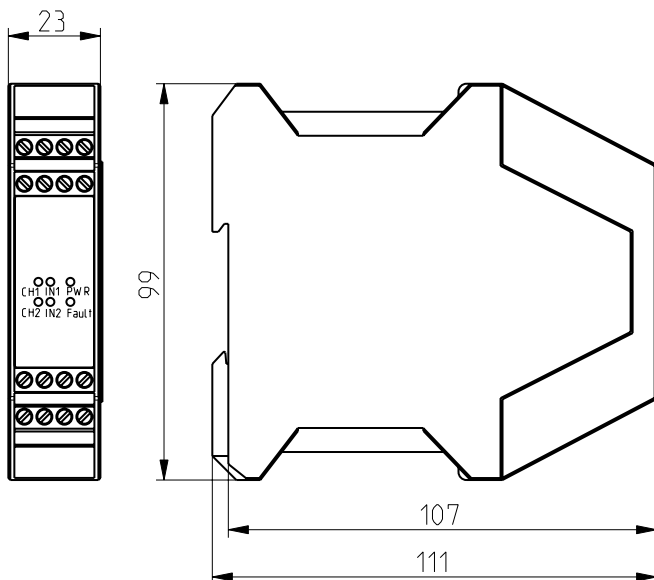
Артикул №: 1185607 (Старый артикул №: 90560051)

Особенности / опции


- Enclosure width: 22.5 mm
- 2 NC contact combination connectable
- Feedback circuit
- 2 enabling paths potential-free

- 1 auxiliary output
- Manual or automatic start
- LED indicator for switching condition
- PL e, SIL CL 3

Размеры



Технические данные

Standards	EN 60204-1, EN 60947-5-1, EN 61508, EN ISO 13849-1; EN 60947-5-3/PDF-M
Enclosure	Polyamid PA 6.6 V0 black; DIN rail mounting per EN 50022
Connection	screw connection terminals
Cable cross-section	1x 2.5 mm ² /2x 1.5 mm ² strand including conductor ferrules, 1x 4 mm ² / 2x 2.5 mm ² massive
Degree of protection	Enclosure IP 40, Terminal block IP 20 to IEC/EN 60529, shock protection to VBG 4
Rated operating voltage U_e	24 VDC -20 % ... +25 %
Power consumption	< 3 W
Inputs	2 NC contacts, 1 feedback input, 1 start input
Outputs	2 enabling paths, 1 auxiliary output
Utilisation category	AC-1; DC-1
I_e/U_e enabling paths	6 A/250 VAC; 6 A/24 VDC
Max. output current auxiliary S11, S21, S31 output I_a	50 mA
Max. fuse rating	2 A gG/gN fuse
Supply voltage U_e	6 A gG/gN fuse
Enabling paths	6 A gG/gN fuse
Safety-relevant data:	control category 4 per EN 954-1, PL e per EN ISO 13849-1, SIL 3 per EN 61508
Delay on energisation/deenergisation	<125 ms
Mechanical life	> 10 million operations
LED display	4: Operation, fault, inputs A and B
Degree of pollution	2 to EN 50178, DIN VDE 0110
Overvoltage category	III
Ambient temperature	-25 °C ... +55 °C
Storage and shipping temperature	-25 °C ... +75 °C
Shock resistance	10 g
T_M	max. 20 years
Approvals	
Weight	160 g

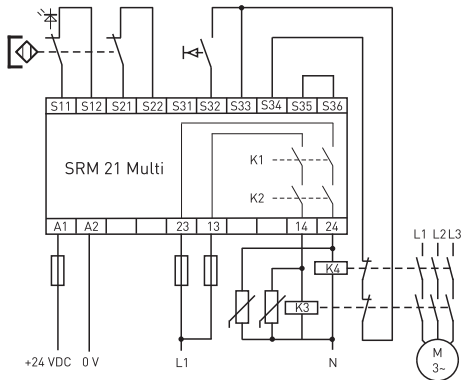
Ошибки и технические изменения оставляются за собой.

Accessories for safety sensors

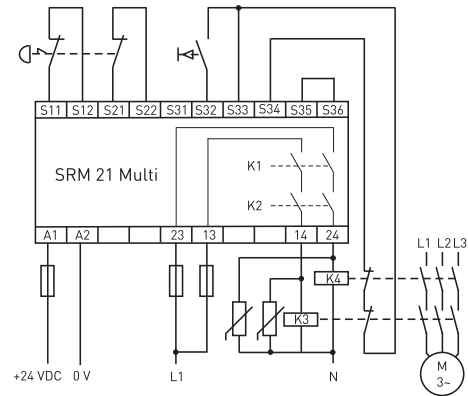
Safety relay module SRM 21 Multi

Артикул №: 1185607 (Старый артикул №: 90560051)

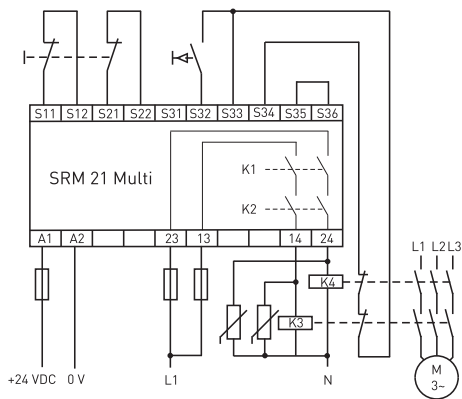
Wiring example magnetic safety sensor 2NC



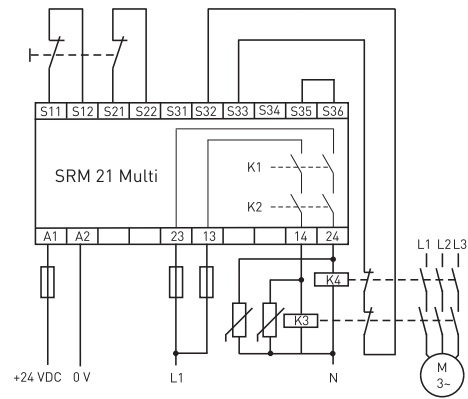
Wiring example emergency-stop push button 2NC



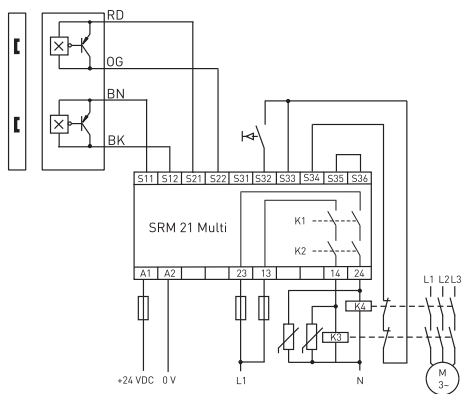
Wiring example safety switch 2NC



Wiring example safety switch 2NC



Wiring example safety hall sensor with two semiconductor outputs as NC



Wiring example safety hall sensor with two semiconductor outputs as NC

